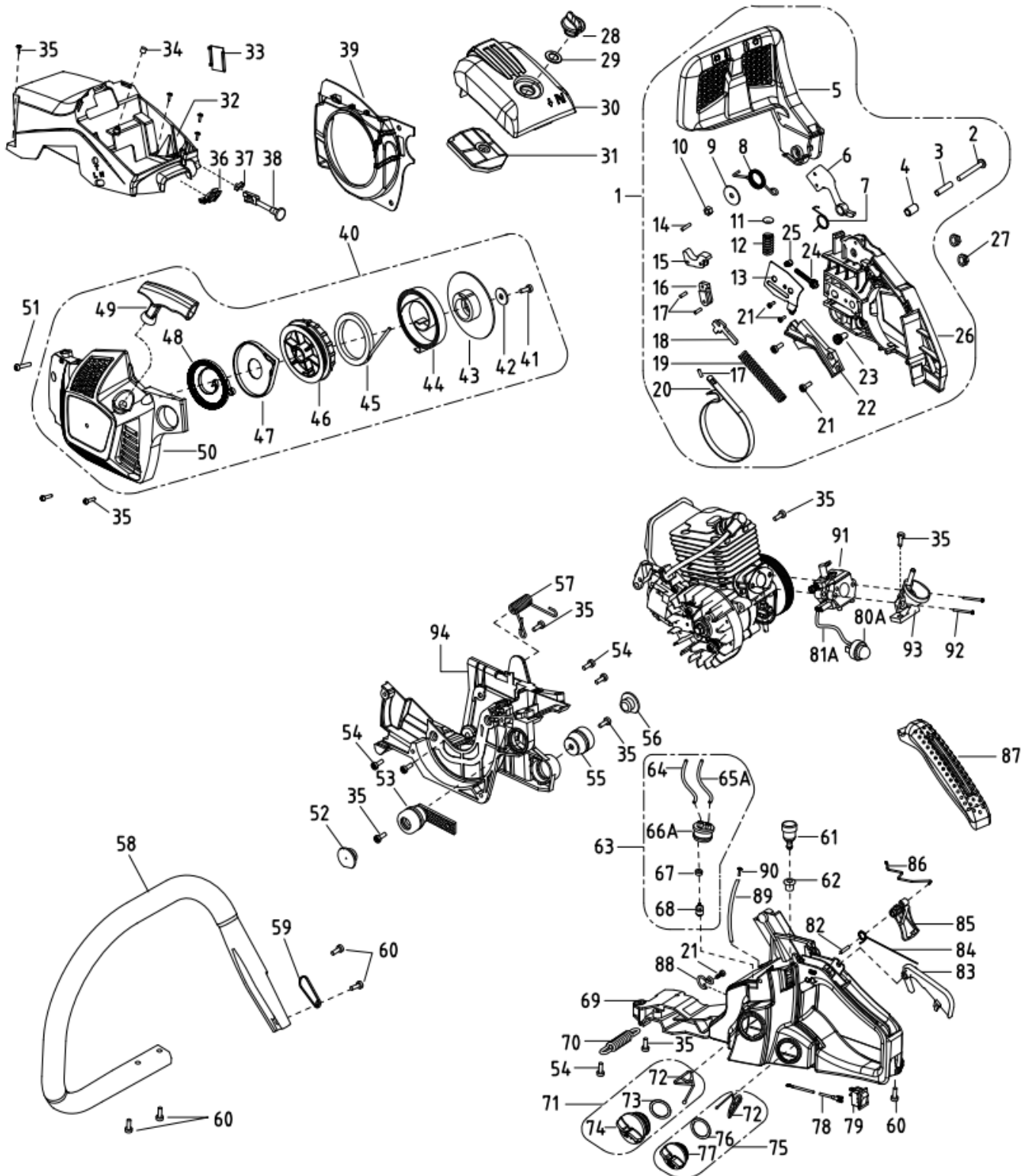


VGS 410S



Base



EXPLODED PARTS LIST

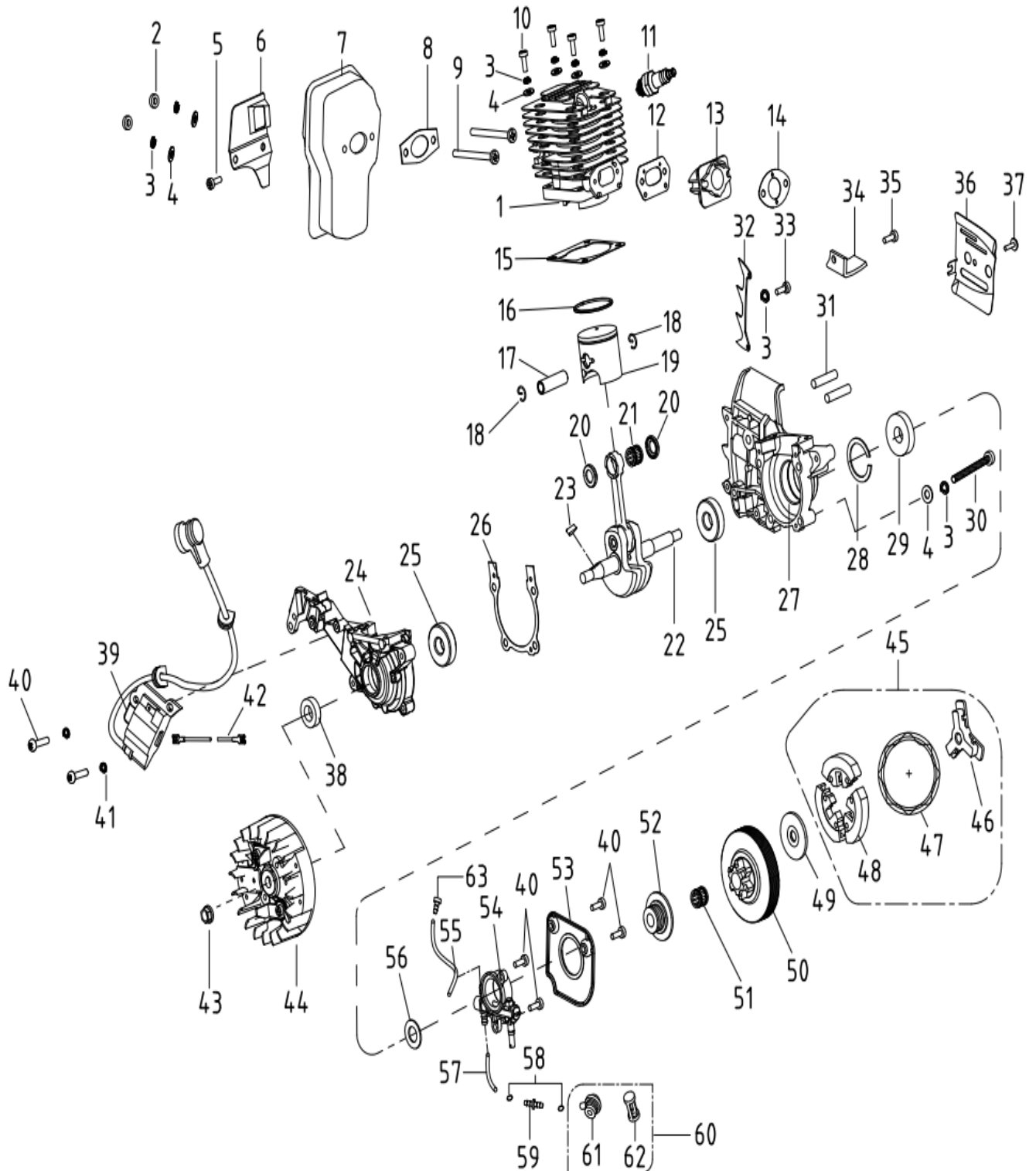
Year:
Page(s): 2/5

VGS 410S

No	Code	Name	Qty	No	Code	Name	Qty
1	046550	CLUTCH COVER ASSEMBLY	1	49	010608	START HANDLE	1
2		SCREW	1	50		STARTER COVER	1
3		PIN GLAND	1	51		TAPPING SCREW	1
4		HEAVY BROCK GLAND	1	52		TAPPING SCREW	5
5		FRONT DAMPER	1	53	010696	LEFT DUST COVER	1
6		HEAVY BROCK	1	54	010525	CUSHION SOCKET 1	1
7		HEAVY BROCK SPRING	1	55		SCREW	5
8		BRAKE TORSION ROD SPRING	1	56	010527	CUSHION SOCKET 2	1
9		WASHER	1	57	010667	RIGHT DUST COVER	1
10		LOCK- NUT	1	58	017061	FRONT HANDLE SPRING	1
11		SPRING BASE	1	59	014855	FRONT HANDLE	1
12		FRONT GUARD SPRING	1	60		TORSION ROD SPRING COVER PLATE	1
13		TENSIONER COVER PLATE	1	61	017065	BALANCER BODY ASSEMBLY	1
14		PIN	1	62	012292	BALANCER ROOT	1
15		MAIN LEVEL	1	63	019886	FUEL FILTER ASSEMBLY WITH TUBE	1
16		SECONDARY PULL-ROD	1	64	019885	FUEL TUBE	1
17	036895	PIN	3	65A		SCAVENGE TUBE	1
18		BREAK CONTROL ROD	1	66A		TUBE ROOT	1
19		BRAKE SPRING	1	67		CLUMP WEIGHT	1
20		BREAK STRAP	1	68	078601	FUEL FILTER ASSEMBLY	1
21		TAPPING SCREW	5	69	031907	BASE	1
22		BREAK SPRING COVER PLATE	1	70	017063	BASE SPRING	1
23	031916	TENSION GEAR	1	71	046561	FUEL TANK-CAP ASSY	1
24	031915	TIGHTENER SCREW	1	72		ANTI-DROP PLATE	2
25	046540	TENSION BLOCK	1	73	052014	PACKING WASHER	1
26		CLUTCH COVER	1	74	031919	PETROL COVER	1
27		NUT	2	75	046562	CAP OIL TANK	1
28		AIR FILTER LOCK NUT	1	76	052014	PACKING WASHER	1
29		LOCK NUT WASHER	1	77	031925	OIL COVER	1
30	046552	AIR FILTER COVER	1	78		EARTH CABLE	1
31	10516	AIR FILTER	1	79	017064	EXTINCTION SWITCH	1
32	046553	UPPER COVER PLATE	1	80A	010532	PRIMER PUMP	1
33		ANTI-FREEZE BLOCK	1	81A	017071	PUMP TUBE	1
34		SHOCK BLOCK	1	82		PIN	1
35		TAPPING SCREW	12	83	010534	TRIGGER CONTROL RACK	1
36	017058	DUST SHIELD	1	84	010535	TRIGGER TORSION ROD SPRING	1
37	017059	THROTTLE LEVER RETAINING BRACKET	1	85	010536	TRIGGER	1
38	046554	THROTTLE ROD	1	86		THROTTLE ROD	1
39	046555	BOSSING	1	87	046563	HANDLE COVER	1
40	046556	STARTER ASSEMBLY	1	88		CIRCLIP FOR NOZZLE	1
41		TAPPING SCREW	1	89	010580	VENT TUBE	1
42		WASHER	1	90		TAPPING SCREW	1
43	046557	RATCHET WHEEL	1	91	64254	CARBURETOR	1
44	046558	STRIP SPRING	1	92		CARBURETOR SCREW	2
45		START STRETCHING WIRE	1	93	031946	AIR INTAKE SOCKET	1
46	046559	START PLATE	1	94	021802	CASE	1
47	046560	COIL-SPRING GLAND	1	95		ACCESSORY ASSY	1
48		START COIL-SPRING	1	96		CHAIN COVER	1

Base

VGS 410S



Engine



EXPLODED PARTS LIST

Year:
Page(s): 5/5

VGS 410S

No	Code	Name	Qty	No	Code	Name	Qty
1	010539	CYLINDER BODY	1	49		CLUTCH ADJUSTING WASHER	1
2		NUT M5	2	50	010572	CLUTCH SHELL	1
3		WASHER	11	51	010574	BEARING	1
4		WASHER	10	52	010575	WORM	1
5		SCREW	1	53	046566	COVER PLATE	1
6	64255	SILENCER COVER PLATE	1	54	010577	OIL PUMP	1
7	023069	SILENCER BODY	1	55	010579	OIL OUTGOING TUBE	1
8	010540	SILENCER SEALING GASKET	1	56		WORM WASHER	1
9	010541	MUFFLER CONNECTING SCREW	2	57	010580	OIL INGOING TUBE	1
10		SCREW	4	58		OIL TUBE CLIP	2
11		SPARK PLUG	1	59	019889	OIL TUBE TIE-IN	1
12	010543	AIR INTAKE TUBE SEALING GASKET	1	60	064256	OIL FILTER SCREEN ASSY	1
13	010544	AIR INTAKE TUBE	1	61		NOZZLE	1
14	010545	CARBURETOR SEALING GASKET	1	62		OIL FILTER SCREEN	1
15	010546	CYLINDER SEALING GASKET	1	63	040083	OIL SPRAY NOZZLE	1
16		PISTON RING	1				
17	010549	PISTON PIN	1				
18	010550	PISTON PIN CIRCLIP	2				
19	010552	PISTON	1				
20	010553	NEEDLE BEARING RING	2				
21	010554	NEEDLE BEARING	1				
22	010555	CRANK SHAFT COMPONENTS	1				
23		SEMICIRCULAR KEY	1				
24	010557	LEFT CRANK CASE	1				
25	053927	BEARING	2				
26	010559	CASE BODY SEALING GASKET	1				
27	010560	RIGHT CRANK CASE	1				
28		SHIELD RING	1				
29	010562	OIL SEAL	1				
30		SCREW	4				
31		DOUBLE-SCREW BOLT	2				
32	031902	SPIKED BUMPER	1				
33		SCREW	1				
34	035192	CHAIN CATCHER	1				
35		CHAIN CATCHER SCREW	1				
36	031903	DAMPER	1				
37		SCREW	1				
38	010563	OIL SEAL	1				
39	010564	IGNITER	1				
40		SCREW	6				
41		WASHER	2				
42		EXTINCTION CONDUCTOR	1				
43		NUT	1				
44		FLYWHEEL ASSEMBLY	1				
45	010570	CLUTCH ASSEMBLY	1				
46		RETAINTER	1				
47		CLUTCH EXTENSION SPRING	1				
48		SHOE BLOCK	1				

Engine